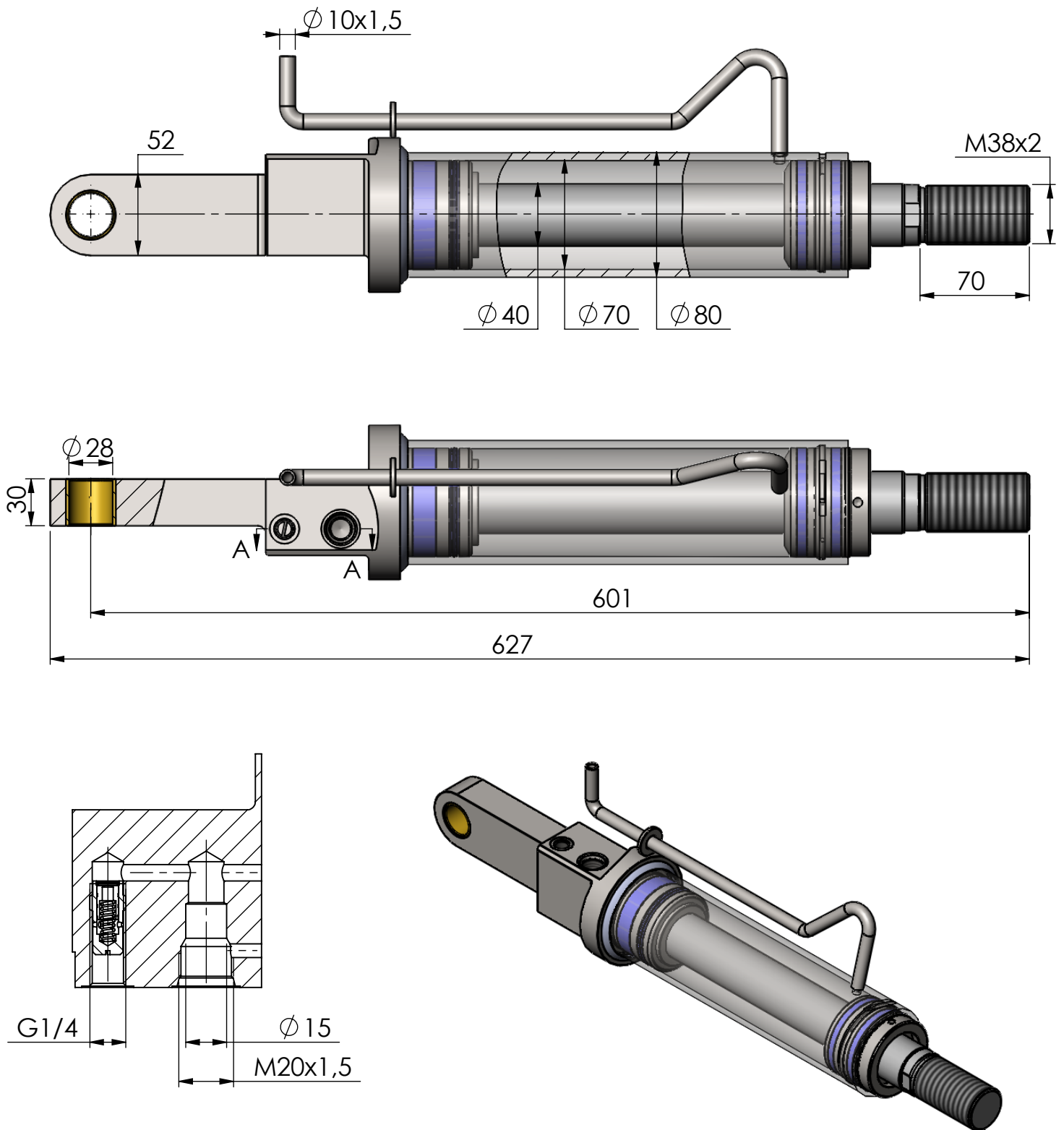


HACO part no. 1008200H



Tiltcylinder HACO $\phi 40/70$ mm
suitable for MBB-Palfinger